



WINCH MOUNT KIT

FOR YAMAHA WOLVERINE

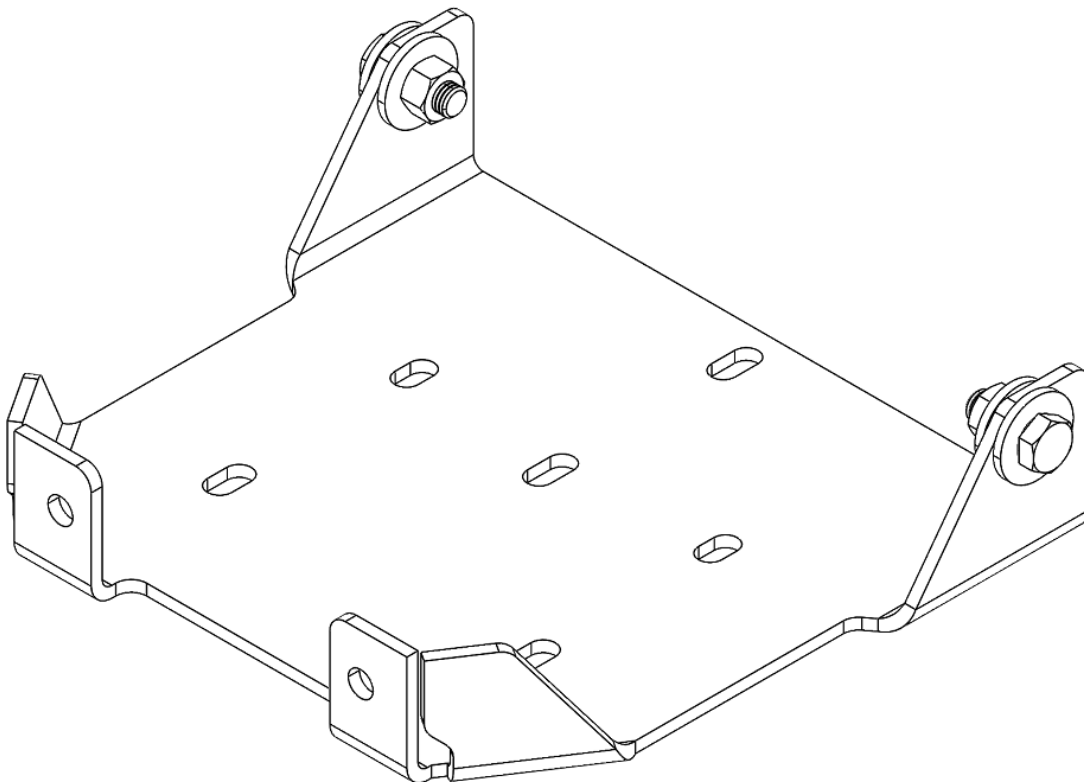
P/N 25-5280

ASSEMBLY / OWNERS MANUAL

Application

WINCH KIT NO. 25-9xxx

Before you begin, please read these instructions and check to be sure all parts and tools are accounted for. The following instructions contain details required to install and service the contents of this kit.



OPERATING INSTRUCTIONS

Congratulations! You've just purchased the most durable accessory component in the industry. Our accessories work great all year round! With proper care and maintenance, your Kolpin accessory will last for years to come! Please read and understand all assembly instructions, notices and warnings before assembling and using your Kolpin accessory.

Follow these guidelines to ensure a successful and satisfactory installation:

Read, understand this manual before beginning installation

Periodically check for wear and tightness of all fasteners.

Replace or re-torque fasteners as necessary.

SAFETY & GENERAL PRODUCT INFORMATION

Kolpin accessories are designed with your safety in mind.

In order to protect you and your vehicle, certain parts of the accessory and/or hardware may be designed to collapse or break when the equipment is over-stressed.

Kolpin winch mount kits are designed to be compatible with Kolpin and Cycle Country winches along with many others, but may not be compatible with some winches. Kolpin winch mount kits have design features that benefit snow plow applications.



! DANGER ! ! WARNING ! ! CAUTION !

To avoid personal injury or damage to your vehicle:

Read and understand all notices for:

Caution

Warning

Danger

Follow instructions for your vehicle, winch, winch mount and other items used in combination with this product.

Do not winch unsecured loads at any time.

Disconnect battery during winch installation or service to prevent electrical hazards.

Do not lift loads overhead.

Do not exceed the load capacity of the winch.

Always wear gloves when handling wire winch cable.

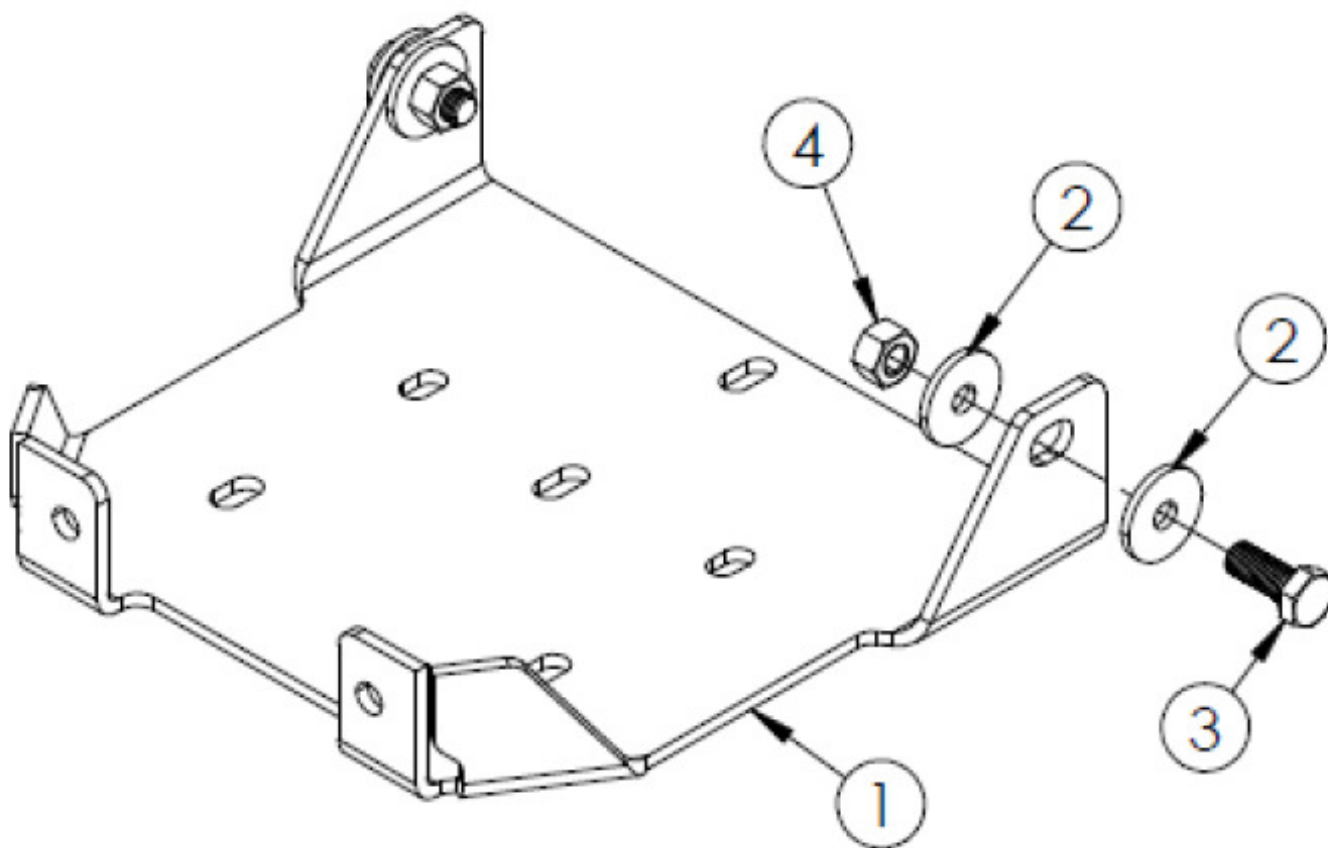
Do not use your winch or winch mount for towing.

Do not shock load the winch, cable or winch mount.

Keep fingers, hands and loose clothing away from roller fairlead and winch cable drum when in use.

Kit Contents:

| Item | Qty | Part Description | Part Number |
|------|-----|---------------------------------------|-------------|
| 1 | 1 | Winch Mount Plate | - |
| 2 | 4 | Fender Washer, Zinc Plated, M10 | - |
| 3 | 2 | Hex Bolt, Zinc Plated, M10-1.5 x 25mm | - |
| 4 | 2 | Locknut, Zinc Plated, M10-1.5 | - |
| 5 | 1 | Instruction Guide (not shown) | - |



BEFORE YOU BEGIN:

- Your Kolpin accessory is exclusively designed for your vehicle
- Please read and understand all instructions
- Verify all parts and tools are accounted for
- To ensure a satisfactory installation, follow all steps correctly and in the sequence described
- Keep these instructions for future reference or for informational requests
- To facilitate installation, make sure that your vehicle is clean and free of debris
- All directions referring to right and left are when the rider is sitting on the machine

TOOLS REQUIRED:

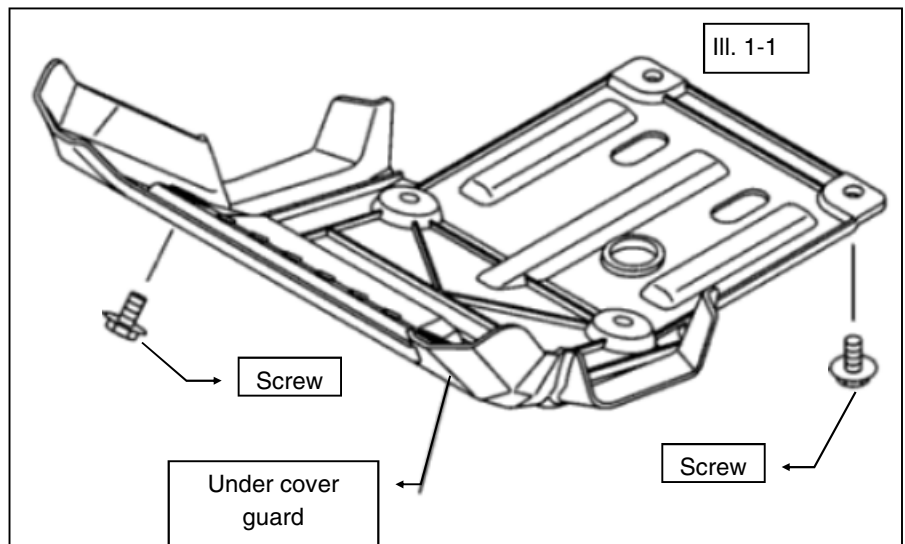
- Basic Metric wrench and socket set
- Torx Driver Set
- Pliers
- Do not use impact tools to install hardware

APPROXIMATE ASSEMBLY TIME: 15 minutes

Note: If any hardware is missing, do not return to the store. Call us to help, Toll Free 1-877-956-5746.


Installation Prep:

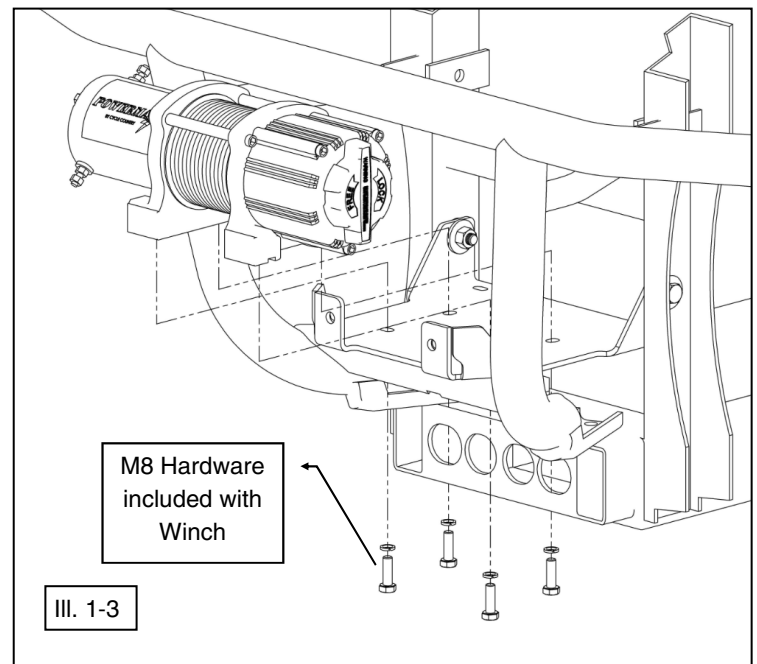
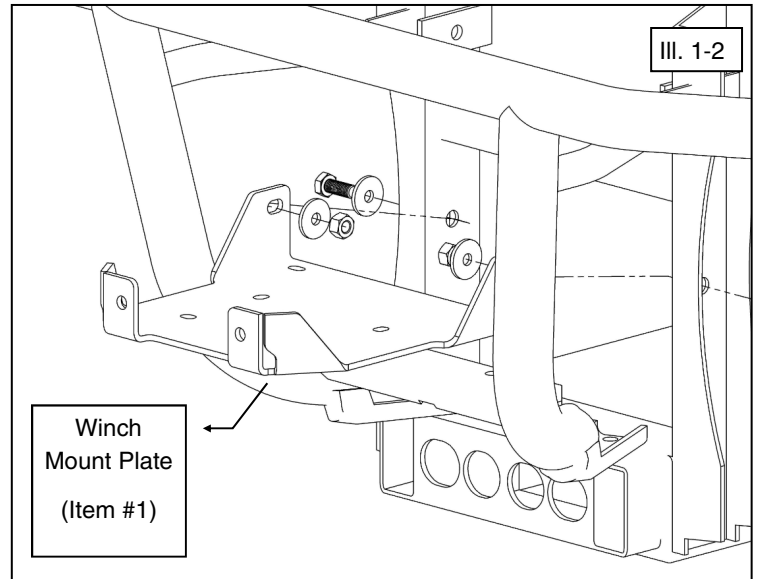
1. Shift vehicle transmission into NUETRAL and set PARKING BRAKE. Turn ignition key to OFF position and remove from ignition switch.
2. Disconnect the positive (red) wire and the negative (black) wire from the battery.
3. To gain access to install hardware for winch assembly, detach the under cover plastic guard from the front bumper. Remove the six OEM fasteners as shown and save for re-install later. (See illustration 1-1).
4. Remove the front bumper to gain access to install winch mount plate (item #1) into vehicle frame. Save hardware for re-install later. **Note, removing the bumper is not required, but can help to gain access.**



Mount Plate Installation:


5. Insert the winch mount plate (item #1) into position on the bumper as shown. **Note, insert in correct direction shown, thru center of bumper.**
6. Install the M10 screws (item #3) thru a M10 flat washer (item #2) at the location shown in the vehicle and the winch mount plate as shown. Fasten M10 screws (item #3) with M10 flat washer (item #2) and locknut (item #4). (See illustrations 1-2 and 1-5).
7. Tighten M10 fasteners to specification.

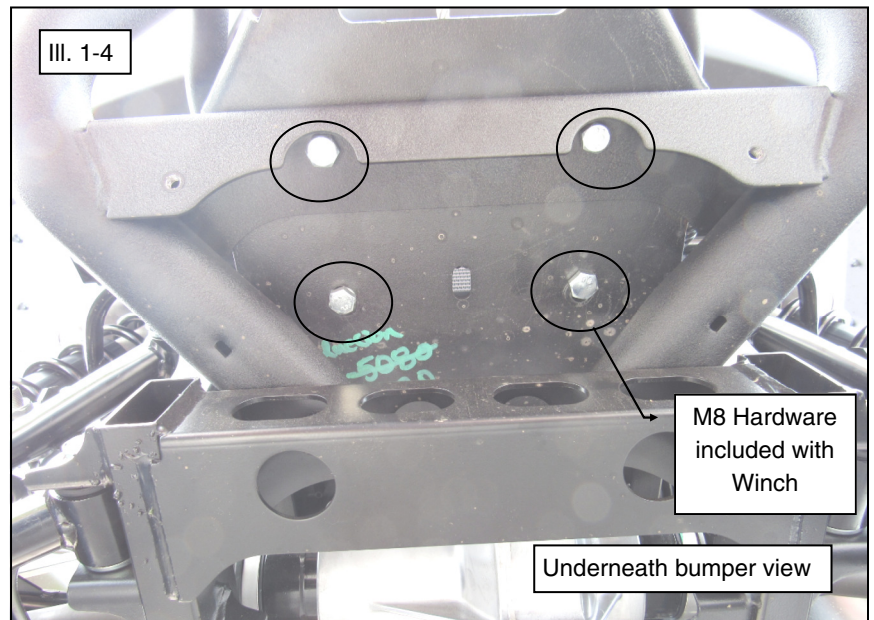
| |
|---|
|  = T |
| 10MM FASTENER TORQUE: 30 ft. lbs. (41 Nm) |



Winch Installation:

8. Install the winch to the winch mount plate and bumper using hardware included with your winch as shown. (See illustrations 1-3 and 1-4).
9. Tighten M8 fasteners to specification.

| |
|---|
|  = T |
| 8MM FASTENER TORQUE: 17 ft. lbs. (23 Nm) |



Roller Fairlead Installation:

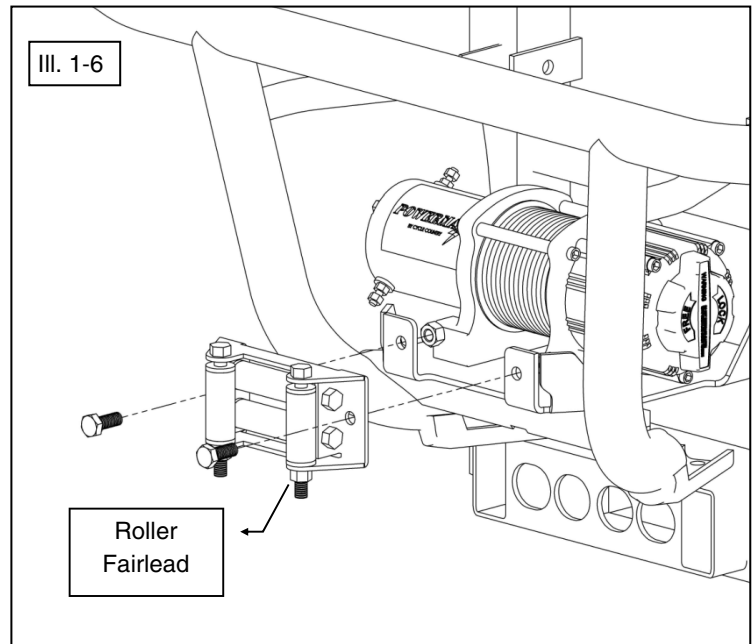
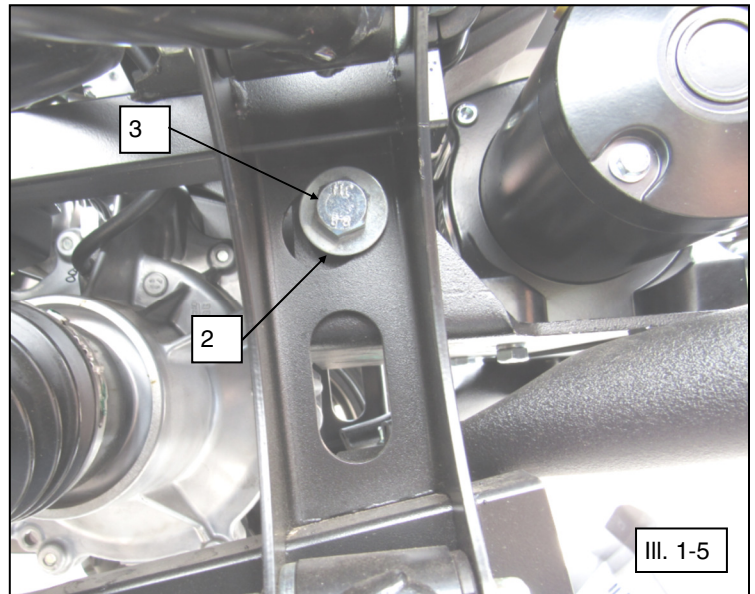
10. Your winch should also include a roller fairlead. Mount this on the front of the winch mount plate as shown. (See illustrations 1-6 and 1-7).
11. Tighten M8 fasteners to specification.

| |
|---|
|  = T |
| 8MM FASTENER TORQUE: 17 ft. lbs. (23 Nm) |

12. The winch cable or rope should be wrapped around the spool drum as shown. Spooling the cable as shown will prolong cable life and enhance winch performance. (See illustration 1-7).
13. Feed the winch cable through fairlead and connect the hook to cable or rope by using hardware included in winch kit.
14. Reinstall bumper and lower front plastic guard.

Winch Wiring and Connections:

15. Using the winch kit instructions, route and connect the electrical cables and components for the winch system.
16. Secure all harnesses using cable ties (provided with winch kit) to prevent contact with hot components, sharp edges or moving parts.
17. Reconnect black negative (-) cable to battery, then positive cable (+).
18. With the vehicle key in the ON position, check winch for proper operation.
19. Retighten all hardware after 30 minutes of riding.





One Year Limited Warranty

For the period of one (1) year from the purchase date, Kolpin will replace for the original purchaser, free of charge, any part or parts found upon examination by Kolpin to be defective in material, workmanship, or both.

All transportation costs incurred submitting product to Kolpin for warranty consideration must be borne by the purchaser. If Kolpin determines that the product must be returned to the factory for credit, please call 1-877-956-5746 for a Return Merchandise Authorization (RMA) number and shipping instructions.

This warranty does not apply to parts that have been damaged by accident, alteration, abuse, improper maintenance, normal wear, or other causes beyond the manufacturer's control. In order to protect you and your ATV, certain parts of the accessory system and/or hardware are designed to fail when the equipment is over-stressed. Parts that are lost due to loosening and improper maintenance are not covered under warranty. This warranty does not cover removal or reinstallation labor fees of the plow system and related components.

Peripheral products such as engines, electric motors, and actuators may carry an original manufacturer's warranty. Most hardware is general in nature and is easily obtained locally. Be sure to replace with minimum metric class 8.8 specification.

Kolpin Outdoors, Inc.

Telephone: (763)-478-5800

Toll Free: (877)-956-5746

Fax Number: (800)-245-7569

www.kolpin.com

Email: customerservice@kolpin.com