

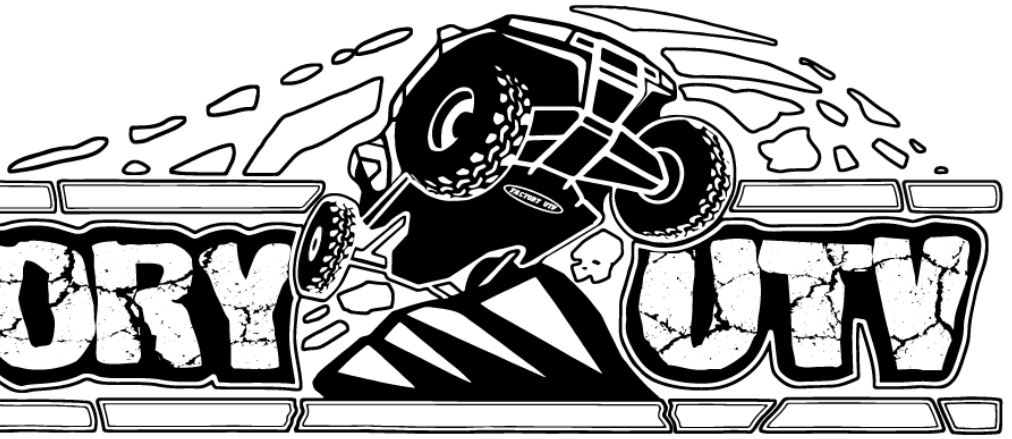
**Contact Us: FACTORY UTV LLC**

9237 Beatty Drive Sacramento, CA 95826

Phone : (916) 383-2730

E-mail : [info@factoryutv.net](mailto:info@factoryutv.net)

Go online: [www.Factoryutv.net](http://www.Factoryutv.net)



## High density door package

Installation guide

*Yamaha*

*Wolverine (R Spec) EPS, SE*

*and Viking 2018+ models*



## Wolverine / Viking Door Instructions

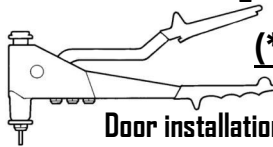
**Warning**  
 Ensure Gas Tank Clearance When Drilling Nutsert Locations In Passenger Side of UTV

Re-use upper cage mount bolts



### Hardware Kit

- 2x) Nutsert
- 2x) Gold washers
- 2x) 1/4"-20 x 1" flange bolts
- 4x) 1/4"-20 x 3/4" flange bolts
- 4x) 1/4"-20 Ny-Lock Nut
- 2x) Latch brackets with latch hoops
- 2x) Doors w/(hinge mount, latches & knobs.)



(\*Nutsert tool not included)

Door installation requires the use of a Nutsert installation tool or (Rivet Nut Tool). Nutsert tool is available for order from Factory UTV or your local specialty hardware store.

Install front door latch with (2x) 1/4"-20 x 3/4" flange bolts w/ Nylock nuts

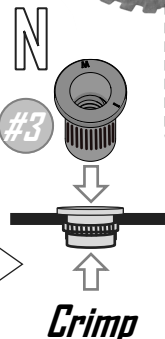
A



#4 Adjust latch and mounting for best fit. When complete check opening clearance's, latching action. Fasten all bolts securely.





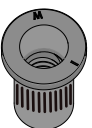

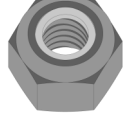
Drill lower stock mounting hole (25/64<sup>th</sup>) for Nutserts Caution drilling passenger side: Gas Tank location. Use (2x) 1/4"-20 x 1" flange bolt w/ (2x) 1/4"-20 Nutsert. Loosen seat to access upper cage bolt. Re-install cage bolt with upper hinge mount



**Nutserts:** Using a 25/64<sup>th</sup> drill bit, Drill opening to ensure fitment of nutserts. Use Caution When Drilling Passenger Side Gas Tank Location, Ensure snug fit for best results, crimp firmly with nutsert tool.

**Warning**  
 Nutsert locations on passenger side, Be careful of Gas Tank clearance, Do Not Drill In To Gas Tank.

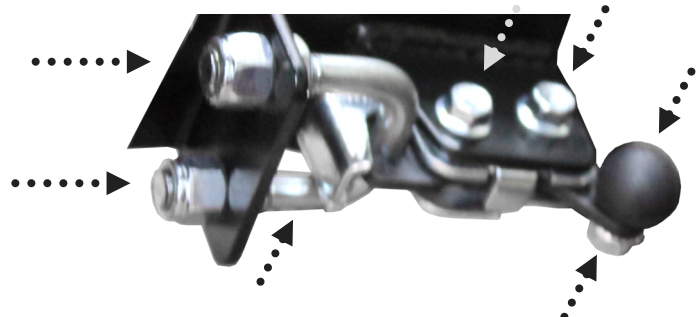
# Yamaha Wolverine / Viking Doors Packing List

#1 Door Hardware: Small Bag	
	4x 1/4"-20 x 3/4" Flange Bolt (#B-A:2)
	2x 1/4"-20 x 1" Flange Bolt (#B-A:3)
	2x 1/4"-20 x Nutsert (#N-15)
	2x 1/4" sm Gold Washers (#W-3)
	4x 1/4"-20 Ny-Lock Nut (#N-3)

**Door Hardware:**  
 2x) Latch brackets with latch hoops  
 2x) Latches with knobs  
 2x) Doors and rear hinge mount



## Door Latches with knobs (pre-assembled )



- (2x ea) Door Latch hardware with knobs
- 1x) Hoop
- 2x) Nylock nuts
- 1x) Latch
- 1x) Knob
- 1x) Knob bolt: 1/4"-20 x 3/4" Flange Bolt (#B-A:2)
- 2x) Mount bolts: 1/4"-20 x 3/4" Flange Bolt (#B-A:2)

## Door and rear hinge mount



# ***Yamaha Wolverine / Viking*** *Other Accessories*

*Check out our other Wolverine and Viking Accessories online at*

***www.Factoryutv.net***

***Restraint Systems, Spare Tire Mounts***



***Full Coverage UHMW Skid Plate Packages***

