



INSTALLATION INSTRUCTIONS

WINCH MOUNTING KIT

Part Number: 92158

Application: YAMAHA VIKING 2013+

GENERAL SAFETY PRECAUTIONS

Your safety, and the safety of others, is very important. To help you make informed decisions about safety, we have provided installation and operating instructions and other information on labels and in this guide. This information alerts you to potential hazards that could hurt you or others. It is not possible to warn you about all potential hazards associated with this product, you must use your own good judgment.

CARELESS INSTALLATION AND OPERATION CAN RESULT IN SERIOUS INJURY OR EQUIPMENT DAMAGE. READ AND UNDERSTAND ALL SAFETY PRECAUTIONS AND OPERATING INSTRUCTIONS BEFORE INSTALLING AND OPERATING THIS PRODUCT.

This guide identifies potential hazards and has important safety messages that help you and others avoid personal injury or death. **WARNING** and **CAUTION** are signal words that identify the level of hazard. These signal words mean:

▲ **WARNING** signals a hazard that could cause serious injury or death, if you do not follow recommendations. ▲ **CAUTION** signals a hazard that may cause minor to moderate injury, if you do not follow recommendations.

This guide uses **NOTICE** to call attention to important mechanical information, and **Note:** to emphasize general information worthy of special attention.

▲ WARNING

IMPACT AND MOVING PARTS ENTANGLEMENT HAZARD

Failure to observe these instructions could lead to severe injury or death

- Always use extreme caution when drilling on any vehicle. Make sure that all fuel lines, brake lines, electrical wires, and other objects are not punctured or damaged when / if drilling on the vehicle. Thoroughly inspect the area to be drilled (on both sides of material) prior to drilling, and relocate any objects that may be damaged. Failure to inspect the area to be drilled may result in vehicle damage, electrical shock, fire or personal injury.
- Always wear safety glasses when installing this kit. A drilling operation will cause flying metal chips. Flying chips can cause eye injury.
- Always use extreme caution when cutting and trimming during fitting.
- Always remove jewelry and wear eye protection.
- Never lean over battery while making connections.
- Never route electrical cables:
 - Across any sharp edges.
 - Through or near moving parts.
 - Near parts that become hot.
- Always insulate and protect all exposed wiring and electrical terminals.
- Always install terminal boots as directed in installation instructions.
- Always use appropriate and adequate care in lifting components into place.
- Always insure components will remain secure during installation and operation.
- Always tighten all nuts and bolts securely, per the installation and operation.
- Always perform regular inspections and maintenance on the winch, winch mount and related hardware.
- Never ever operate this WARN product with damaged or missing parts.

Read installation and operating instructions thoroughly.

WARN INDUSTRIES, INC. 12900 S.E. Capps Road,
Clackamas, OR USA 97015-8903, 1-503-722-1200, FAX: 1-503-722-3000
Customer Service: 1-800-543-9276
Dealer Locator Service: 1-800-910-1122
International Fax: 1-503-722-3005

⚠ CAUTION

MOVING PARTS ENTANGLEMENT HAZARD

Failure to observe these instructions could lead to minor or moderate injury

- Always take time to fully read and understand the installation and Operations Guide included with this product.
- Never operate this product if you are under 16 years of age.
- Never operate this product when under the influence of drugs, alcohol or medications.

Read installation and operating instructions thoroughly.

NOTICE

EQUIPMENT DAMAGE

- Always refer to the Installation and Specification Guide, supplied in the winch kit, for all wiring schematics and specific details on how to wire this WARN product to your vehicle.

Read installation and operating instructions thoroughly.

BEFORE YOU BEGIN

Please read and understand these instructions completely before installation to avoid injury to yourself or damage to the vehicle or accessory.

TABLE OF CONTENTS

Torque Specifications.....	page 2
Parts List.....	page 3
Tools Required.....	page 3
Installation.....	page 4
Maintenance/Care.....	page 5

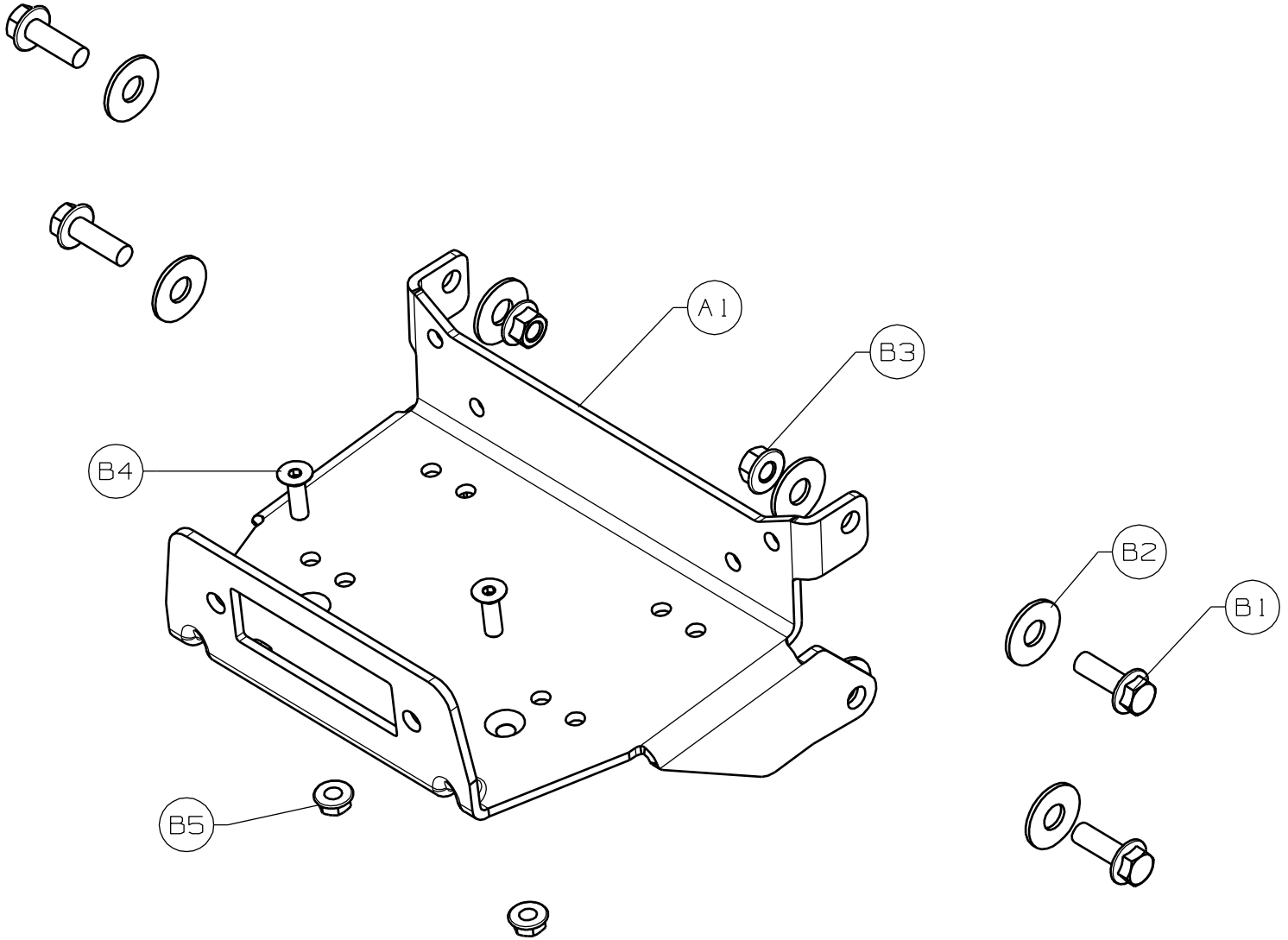
TORQUE SPECIFICATIONS

Please use the recommended torque specifications when assembling this product unless otherwise specified in the instructions.

FASTENER SIZE	FASTENER TORQUE	
	lb-ft	(N.m)
1/4"	8	(11)
5/16"	17	(23)
3/8"	30	(40)
7/16"	48	(66)
1/2"	74	(100)
9/16"	106	(144)
5/8"	148	(200)
3/4"	269	(364)
M4	(2)	3
M5	(4.5)	6
M6	(7.5)	10
M8	(18)	25
M10	(37)	50

PARTS LIST

Reference	Qty	Description
A1	1	Winch Mounting Plate
B1	4	M10 - 1.50 x 25MM Flange Hex Capscrew
B2	8	7/16 Flat Washer
B3	4	M10 x 1.50 Flange Nut
B4	2	M8-1.25 x 25MM Hex Head Flat Capscrew
B5	2	M8 x 1.25 Flange Nut



TOOLS REQUIRED

- Metric socket set
- Metric wrench set
- Metric allen wrench set

INSTALLATION INSTRUCTIONS

1. Disconnect battery and remove the front skid pan.
2. Place winch mounting plate (A1) into position on top of the cross member on the push tube. Align the four rear mounting holes between the frames.
3. Attach the front of the winch mounting plate to the flange of the front bumper with hardware B4 and B5.
4. Attach the rear of the winch plate to the vertical frame brackets of the vehicle, using the remaining hardware B1, B2 and B3.

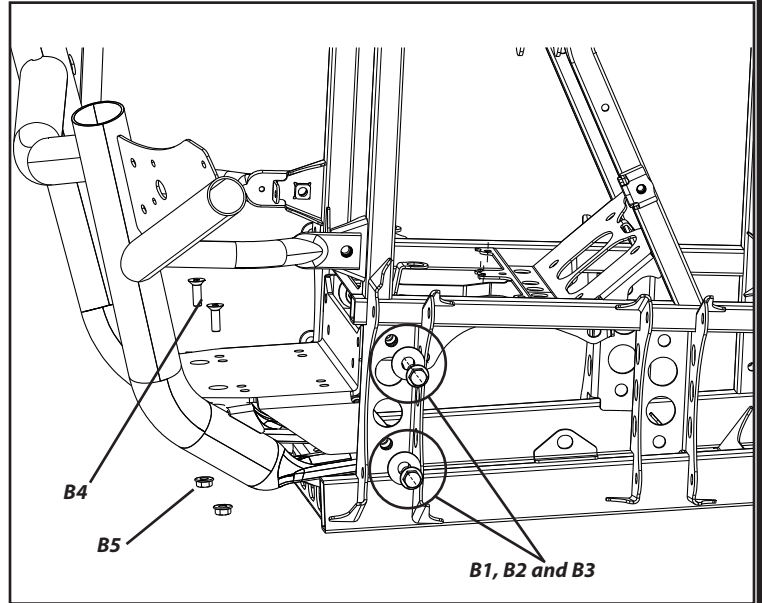


Figure 1

5. Place the roller fairlead into position, shown in Figure 2 and attach to the front of the mounting plate. Use hardware found in the winch hardware pack.

⚠ WARNING Always position fairlead with warning readily visible on top.

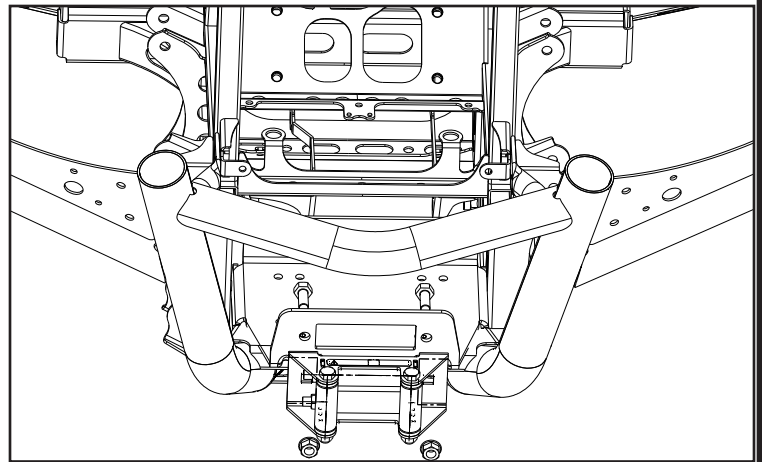


Figure 2

6. Insert winch through the side of the bumper frame work and attach to the mounting plate, using the hardware found in your winch kit. See Figure 3.

7. Tighten all hardware per recommended torque values on page 2.

⚠ WARNING Always tighten all nuts and bolts securely, per the installation and operation.

⚠ WARNING Always perform regular inspections and maintenance on the winch, winch mount and related hardware.

⚠ WARNING Never operate this WARN product with damaged or missing parts.

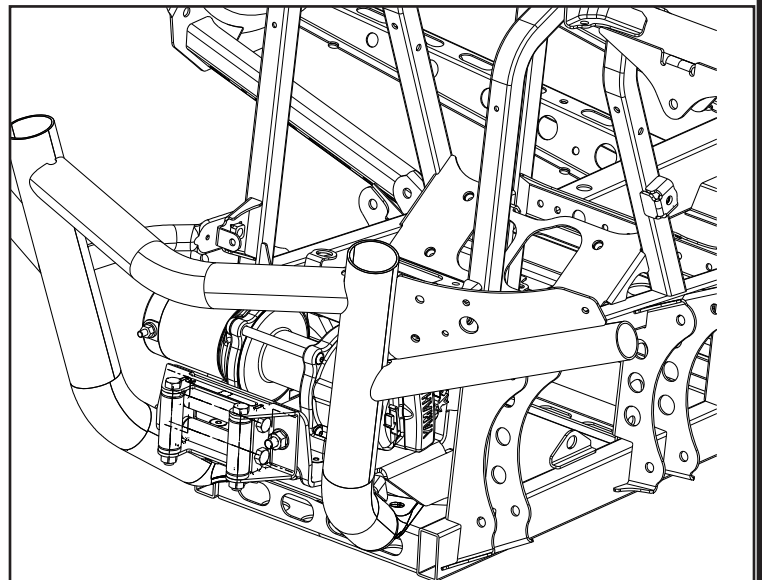


Figure 3

MAINTENANCE / CARE

1. Inspect all parts on the winch, winch mount, and related hardware prior to each use. Replace all hardware that appears rusted or deformed.
2. Inspect all nuts and bolts on the winch, winch mount, and related hardware prior to each use. Tighten all nuts that appear to be loose. Stripped, fractured, or bent bolts or nuts need to be replaced.
3. Check all cables prior to use. Replace cables that look worn or frayed.
4. Check all moving or rotating parts. Remove debris that may inhibit the part from moving freely.

CARELESS INSTALLATION AND OPERATION CAN RESULT IN SERIOUS INJURY OR EQUIPMENT DAMAGE. READ AND UNDERSTAND ALL SAFETY PRECAUTIONS AND OPERATING INSTRUCTIONS BEFORE INSTALLING AND OPERATING THIS PRODUCT.

