

## Universal 2-Piece Roof Assembly

**Thank you for choosing Rough Country for all your vehicle needs.**

Please read instructions before beginning installation. Check the kit hardware against the kit contents shown below. Be sure you have all needed parts and know where they go.

If question exist, please call us @1-800-222-7023. We will be happy to answer any questions concerning this product.

Check all fasteners for proper torque. Check to ensure for adequate clearance between all components.

Periodically check all hardware for tightness.

### KIT CONTENTS:

2 - Roof pieces

### TOOLS NEEDED:

1 - Drill  
1 - 1/4" Drill bit  
1 - Marker  
2 - 7/16" ratchets or wrenches

### HARDWARE INCLUDED:

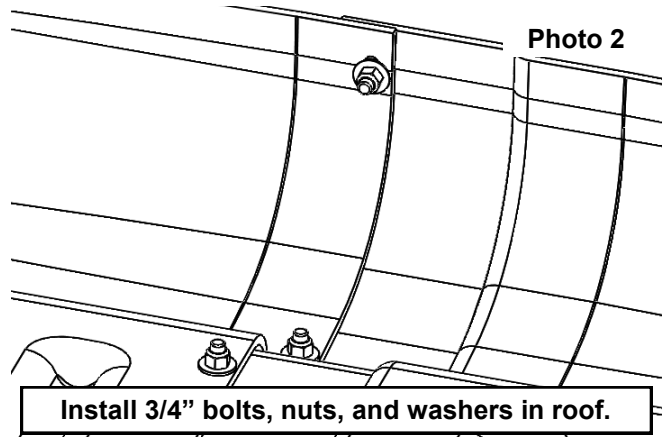
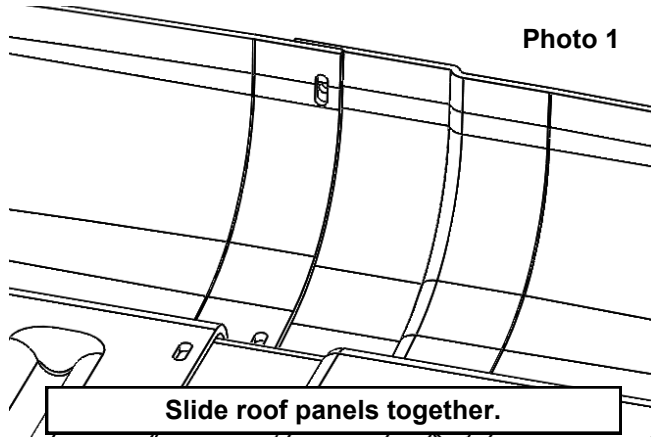
9 - 1/4"-20 x 3/4" Bolts  
24 - 1/4" Washers  
9 - 1/4"-20 Cap nuts  
6 - 1/4"-28 x 1" bolts  
6 - 1" Fender washers  
6 - 1/4"-28 Nylock nuts  
6 - 1.5" diameter P-clamps  
6 - 1.75" diameter P-clamps  
1-5" Roll of Foam Seal

### Torque Specs:

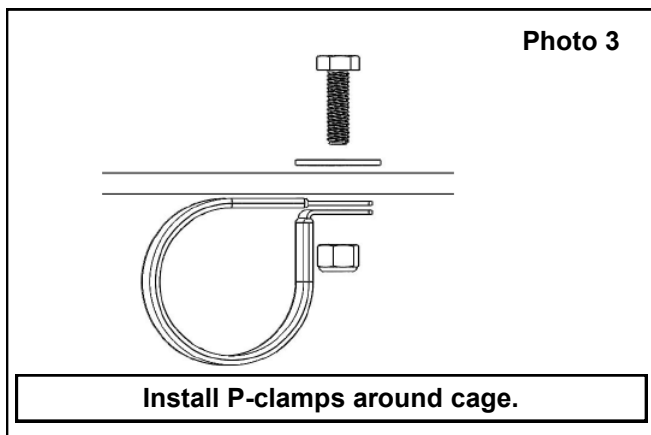
| Size  | Grade 5   | Grade 8   | Size | Class 8.8 | Class 10.9 |
|-------|-----------|-----------|------|-----------|------------|
| 5/16" | 15 ft/lbs | 20ft/lbs  | 6MM  | 5ft/lbs   | 9ft/lbs    |
| 3/8"  | 30 ft/lbs | 35ft/lbs  | 8MM  | 18ft/lbs  | 23ft/lbs   |
| 7/16" | 45 ft/lbs | 60ft/lbs  | 10MM | 32ft/lbs  | 45ft/lbs   |
| 1/2"  | 65 ft/lbs | 90ft/lbs  | 12MM | 55ft/lbs  | 75ft/lbs   |
| 9/16" | 95 ft/lbs | 130ft/lbs | 14MM | 85ft/lbs  | 120ft/lbs  |
| 5/8"  | 135ft/lbs | 175ft/lbs | 16MM | 130ft/lbs | 165ft/lbs  |
| 3/4"  | 185ft/lbs | 280ft/lbs | 18MM | 170ft/lbs | 240ft/lbs  |

## INSTALLATION INSTRUCTONS

1. Install the 1/4" foam seal along the edge near the bolt holes on the half that has non-slotted bolt holes.
2. Line up the bolt holes on each piece with the slotted half on top. **See Photo 1.**
3. Insert 3/4" bolts, nuts, and washers so that the nuts will be facing down when roof is on the vehicle. **See Photo 2.**



4. Place the roof on the vehicle.
5. Determine which sized P-clamps fit your roll cage the best.
6. Place 6 of the clamps onto the roll cage where the roof comes in contact with the roll cage bars.
7. Using a marker, trace the bolt holes on the P-clamps onto the roof to mark where the roof should be drilled.
8. Remove the roof and drill out the 6 bolt hole marks with a 1/4" drill bit.
9. Install the roof onto the roll cage using the 1" bolts and 3/4" washers from the topside and nylock nuts on the underside. **See Photo 3.**



By purchasing any item sold by Rough Country, LLC, the buyer expressly warrants that he/she is in compliance with all applicable, State, and Local laws and regulations regarding the purchase, ownership, and use of the item. It shall be the buyers responsibility to comply with all Federal, State and Local laws governing the sales of any items listed, illustrated or sold. The buyer expressly agrees to indemnify and hold harmless Rough Country, LLC for all claims resulting directly or indirectly from the purchase, ownership, or use of the items.

